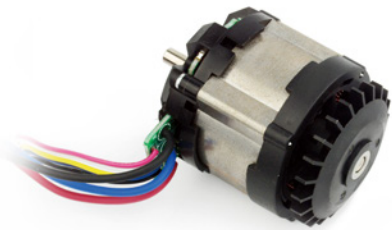


42 Series Brushless DC motor



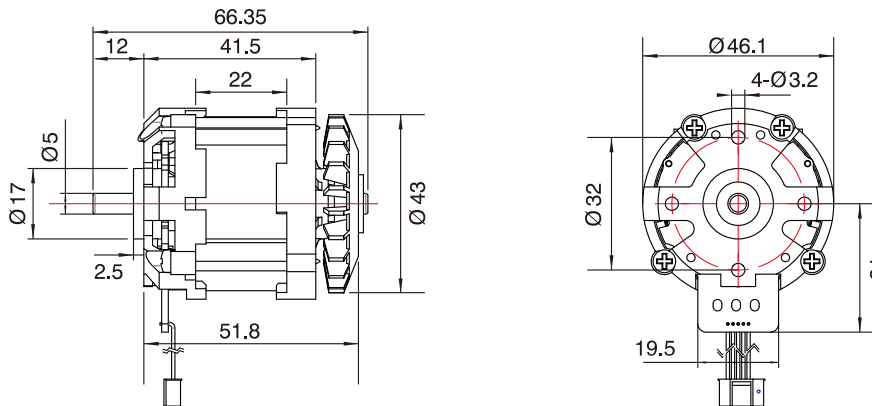
典型应用 Applications

- 个人护理 Personal care
- 家用电器 Home Appliances
- 电动工具 Power tool
- 商业设备 Business Equipment
- 医疗器械 Medical Apparatus

电机端口 Motor Port

Voltage(V): 6~36
 Speed(Rpm): 4000~30000
 Insulation: F级 / Class F
 Motor Drive inside

外形尺寸 Outline Dimension



主要参数 Main Parameter

Type	Voltage (V)	NO-Load		Max Efficiency				
		Speed(rpm)	Current	Torque(g.cm)	Speed(rpm)	Current	Output Power	EFF(%)
LGBLDC-4212-001	12	4900	0.21 A	246.8	4156	1.17 A	10.53 W	74.88
LGBLDC-4212-002	12	14920	0.85 A	462	13244	6.71 A	62.85 W	78
LGBLDC-4220-003	20	7500	0.21 A	295	6440	1.29 A	16 W	75.7
LGBLDC-4224-004	24	38500	1.50 A	901	35496	17.72 A	328 W	77.27

性能曲线 Performance Curve

