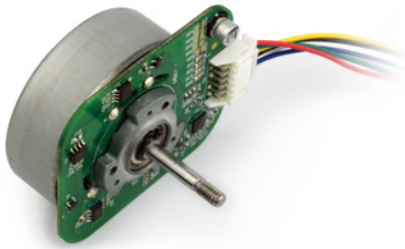


55 Series Brushless DC motor



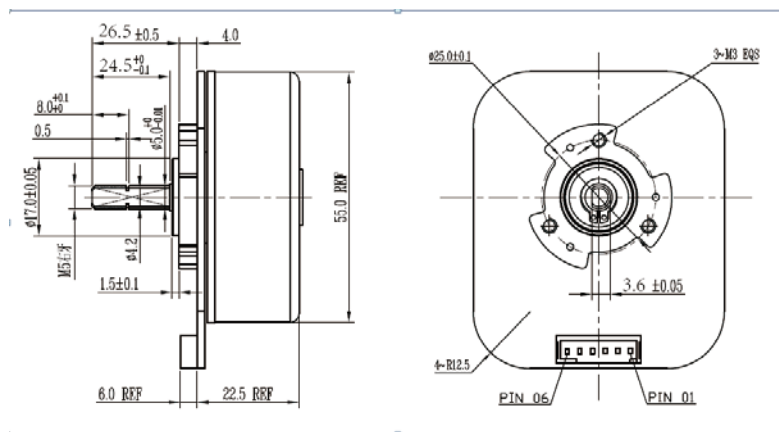
典型应用 Applications

- 个人护理 Personal care
- 家用电器 Home Appliances
- 电动工具 Power tool
- 商业设备 Business Equipment
- 医疗器械 Medical Apparatus

电机端口 Motor Port

- Voltage(V): 6~36
- Speed(Rpm): 8000~30000
- Insulation: F级 / Class F
- Motor Driver inside

外形尺寸 Outline Dimension



主要参数 Main Parameter

Type	Voltage (V)	NO-Load		Max Efficiency				
		Speed(rpm)	Current	Torque(g.cm)	Speed(rpm)	Current	Output Power	EFF(%)
LGBLDC-4212-001	12	3505	0.36 A	527	2901	1.73 A	15.71 W	75.70

性能曲线 Performance Curve

