

60 Series Brushless DC motor



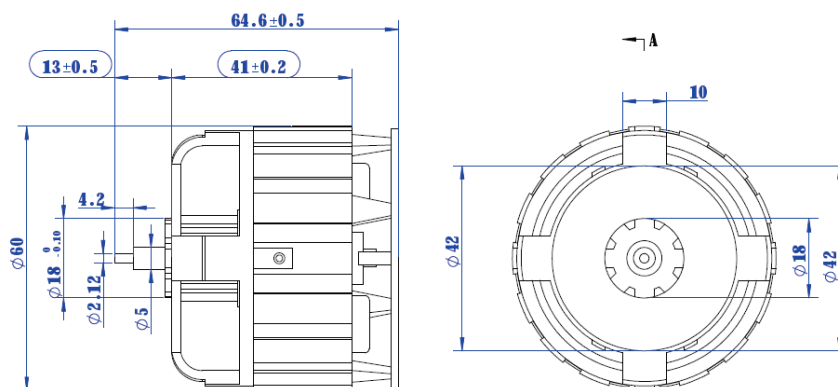
典型应用 Applications

- 个人护理 Personal care
- 家用电器 Home Appliances
- 电动工具 Power tool
- 商业设备 Business Equipment
- 医疗器械 Medical Apparatus

电机端口 Motor Port

Voltage(V): 6~36
 Speed(Rpm): 8000~30000
 Insulation: F级 / Class F
 Motor Drive inside

外形尺寸 Outline Dimension



主要参数 Main Parameter

| Type | Voltage (V) | NO-Load | | Max Efficiency | | | | |
|------------------|-------------|------------|---------|----------------|------------|---------|--------------|--------|
| | | Speed(rpm) | Current | Torque(g.cm) | Speed(rpm) | Current | Output Power | EFF(%) |
| LGBLDC-6013-2201 | 22 | 85461 | 2 A | 733.14 | 80139 | 30.11 A | 603.57 W | 91.1 |

性能曲线 Performance Curve

