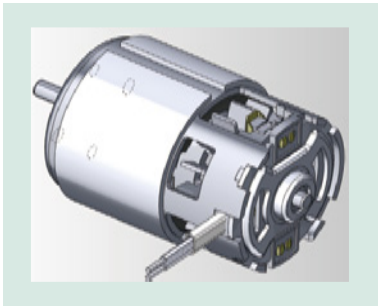


800 Series Brush DC Motor



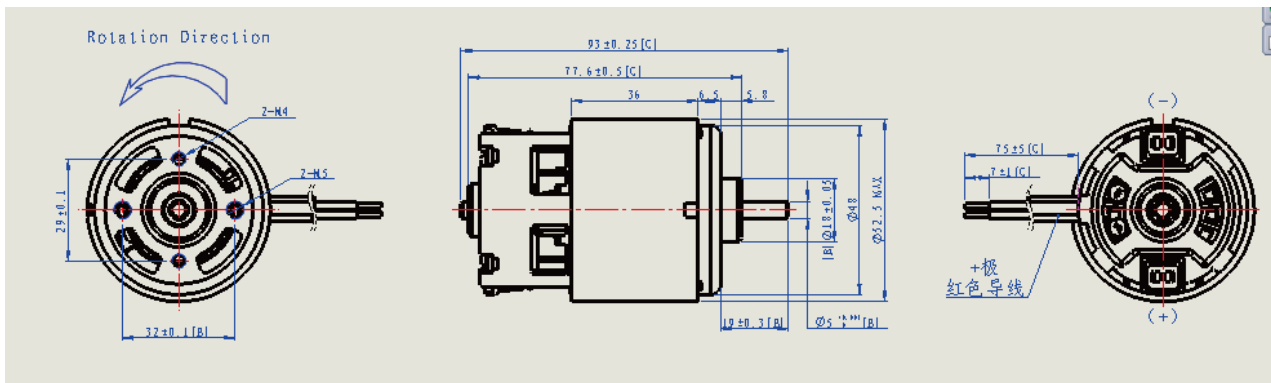
典型应用 Applications

- 个人护理 Personal care
- 家用电器 Home Appliances
- 电动工具 Power tool
- 商业设备 Business Equipment
- 医疗器械 Medical Apparatus

电机端口 Motor Port

Voltage(V): 18 ~ 36
 Speed(Rpm): 4000 ~ 30000
 Insulation: F级 / Class F
 Motor Drive inside

外形尺寸 Outline Dimension



主要参数 Main Parameter

Type	Voltage (V)	NO-Load		Max Efficiency				
		Speed(rpm)	Current	Torque(g.cm)	Speed(rpm)	Current	Output Power	EFF(%)
LGDC-887-2401	24	10000	0.4 A	1.05	9300	5.57 A	100.9 W	75.5
LGDC-887-3601	36	10500	0.5 A	1.0.0795	8842	2.67 A	71.8 W	74.8
LGDC-887-4001	40	19900	2 A	0.962	17500	14.48 A	442.8 W	76.47

性能曲线 Performance Curve

