

## SPECIFICATIONS

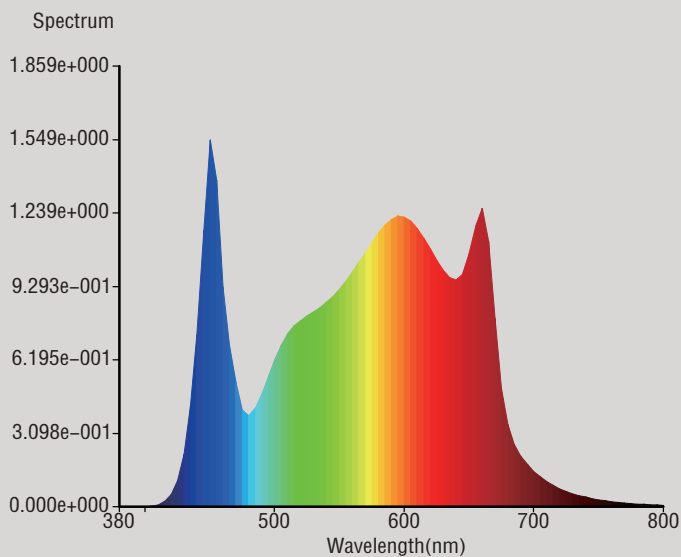
Light Source	LED
Spectrum	34.8"x34.6"
Light Output PPF	1160 $\mu\text{mol/s}$
Efficacy	2.9 $\mu\text{mol/J}$
AC Input Power	400W
AC Input Voltage	100-277V AC,50/60Hz
Light Distribution	120°
Mounting Height	6" -12" (15.2-30.5cm)Above Canopy
Thermal Management	Passive
Max. Ambient Temperature	113°F / 45°C
Dimming	0-10 V
Total Harmonic Distortion (THD)	< 15%
Lifetime	L90: > 50,000hrs
IP Rating	IP65
Certifications	UL 8800,UL 1598 Wet Location
Warranty	5 Year Standard Warranty

Product is Wattage adjustable product, can be adjusted from 10W to 400W

### NOMINAL ELECTRICAL AC INPUT\*

AC VOLTAGE	120V	240V	277V
AC Current	3.33A	1.66A	1.44A
AC Power	400W	400W	400W
Power Factor	0.98	0.95	0.92

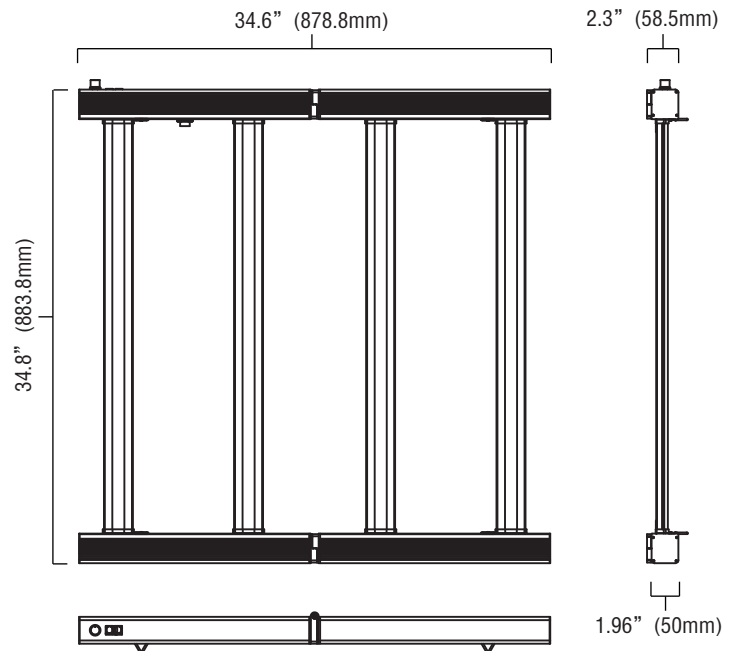
## SPECTRA



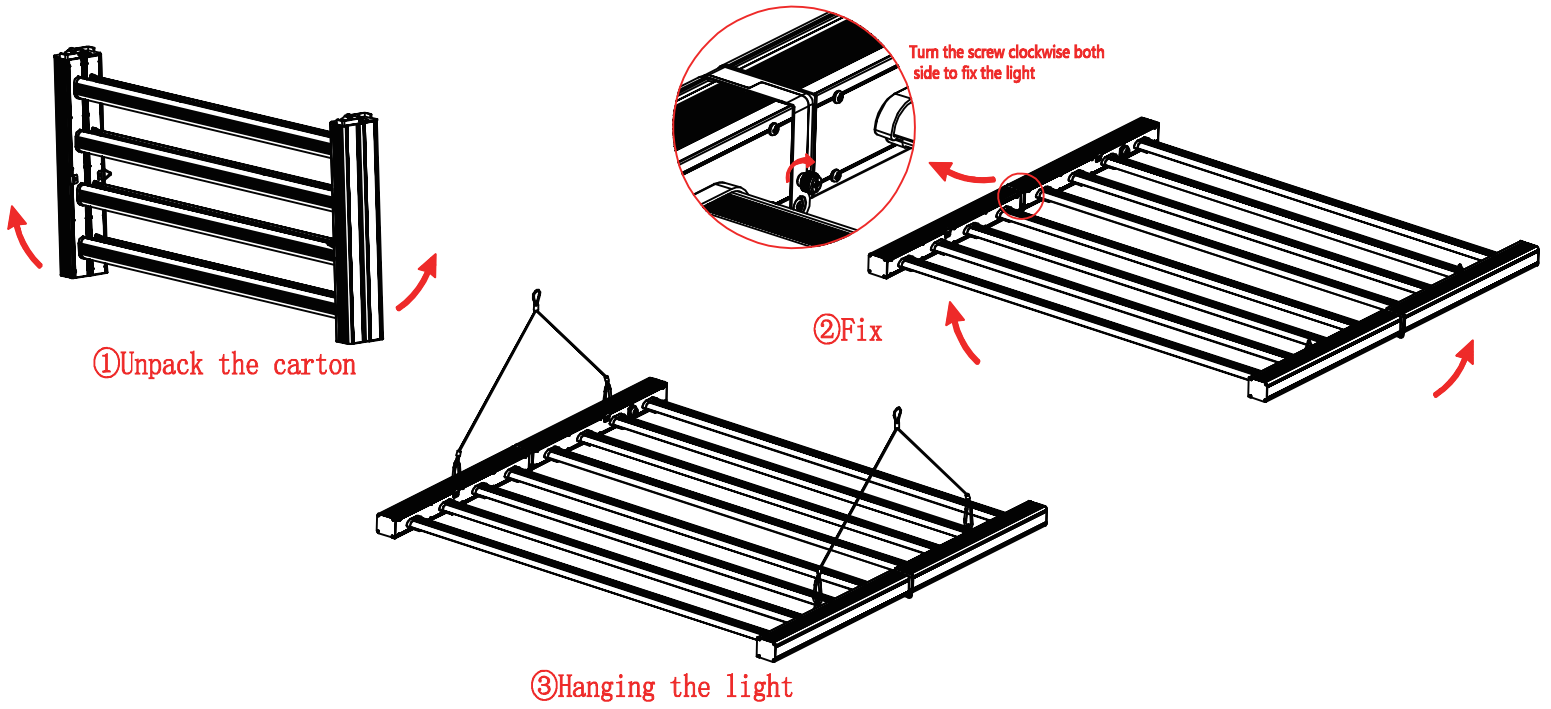
## DIMENSIONS

Part	Length	Width	Height	Weight
Light Fixture	34.8" 883.3mm	34.6" 878.8mm	2.3" 58.5mm	17.6lbs 8 kg

[ TOP VIEW ]



Installation



Product details

