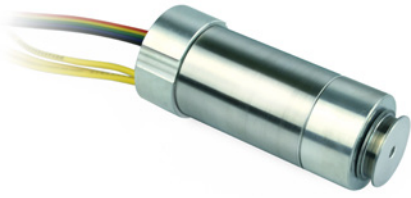


# 30 Series Brushless DC motor



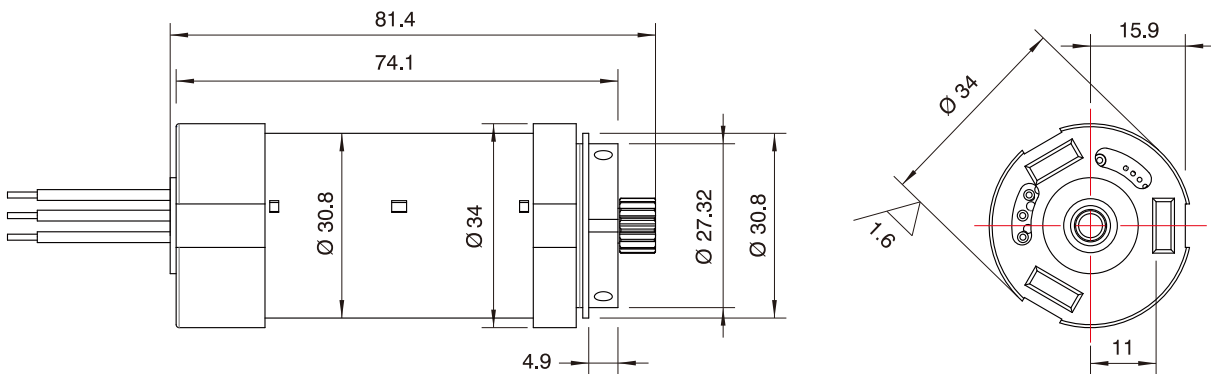
## 典型应用 Applications

- 个人护理 Personal care
- 家用电器 Home Appliances
- 电动工具 Power tool
- 商业设备 Business Equipment
- 医疗器械 Medical Apparatus

## 电机端口 Motor Port

- Voltage(V): 4~24
- Speed(Rpm): 8000~20000
- Insulation: F级 / Class F
- Motor Driver inside

## 外形尺寸 Outline Dimension



## 主要参数 Main Parameter

Type	Voltage (V)	NO-Load		Max Efficiency				
		Speed(rpm)	Current	Torque(g.cm)	Speed(rpm)	Current	Output Power	EFF(%)
LGBLDC-3010-001	10	19860	0.84 A	413	18125	8.77 A	76.93 W	87.69
LGBLDC-3010-002	10	17500	0.60 A	378.9	16191	7.42 A	63.30 W	84.93

## 性能曲线 Performance Curve

