

# 48 Series Brushless DC Motor



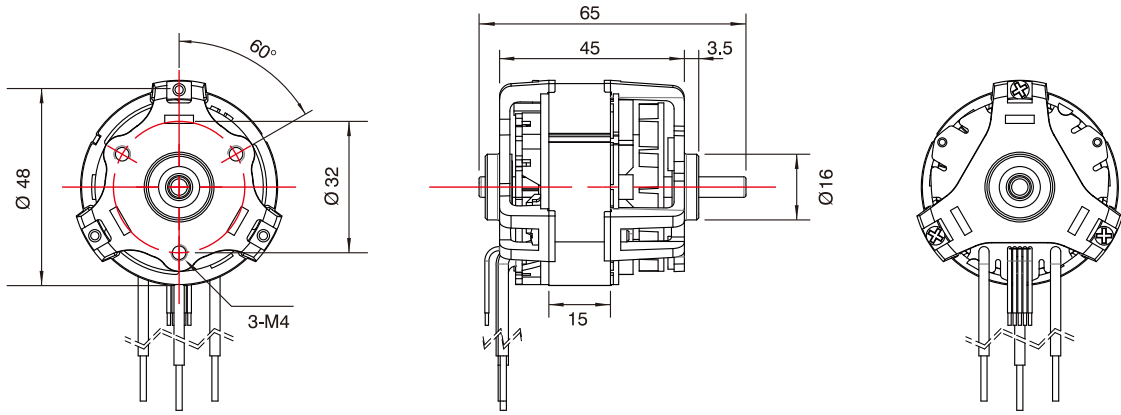
## 典型应用 Applications

- 个人护理 Personal care
- 家用电器 Home Appliances
- 电动工具 Power tool
- 商业设备 Business Equipment
- 医疗器械 Medical Apparatus

## 电机端口 Motor Port

Voltage(V): 18~80  
 Speed(Rpm): 4000~30000  
 Insulation: F级 / Class F  
 Sensor inside

## 外形尺寸 Outline Dimension



## 主要参数 Main Parameter

Type	Voltage (V)	NO-Load		Max Efficiency				
		Speed(rpm)	Current	Torque	Speed(rpm)	Current	Output Power	EFF(%)
LGBLDC-4824-001	24	26000	2.5 A	0.095 Kgf.cm	18000	10.8 A	203.64 W	81.72
LGBLDC-4880-002	80	25000	1.6 A	0.269 Kgf.cm	21161	8.82 A	587 W	82.82

## 性能曲线 Performance Curve

