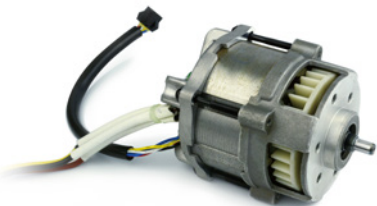


72 Series Brushless DC Motor



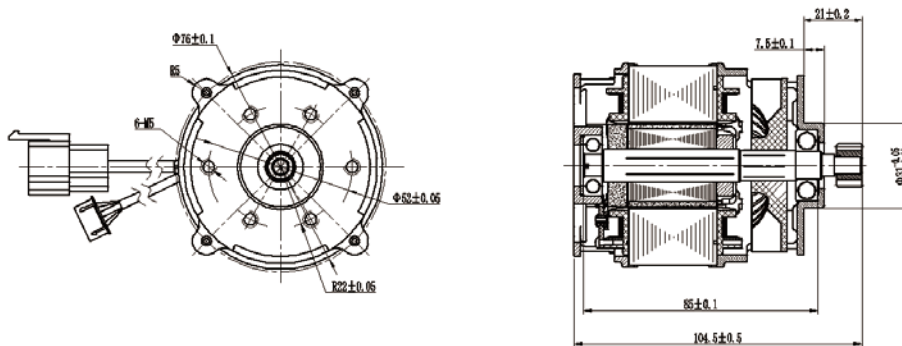
典型应用 Applications

- 个人护理 Personal care
- 家用电器 Home Appliances
- 电动工具 Power tool
- 商业设备 Business Equipment
- 医疗器械 Medical Apparatus

电机端口 Motor Port

Voltage(V): 24 ~ 80
 Speed(Rpm): 4000 ~ 30000
 Insulation: F级 / Class F
 Motor Driver inside

外形尺寸 Outline Dimension



主要参数 Main Parameter

Type	Voltage (V)	NO-Load		Max Efficiency				
		Speed(rpm)	Current	Torque	Speed(rpm)	Current	Output Power	EFF(%)
LGBLDC-7240-001	40	16000	2.5 A	0.37 Kgf.cm	13864	16.23 A	521.45 W	80.33
LGBLDC-7248-001	48	16000	2.5 A	0.44 Kgf.cm	13779	15.51 A	628.79 W	84.46
LGBLDC-7260-001	60	16000	1.5 A	0.37 Kgf.cm	14250	12.23 A	548 W	74.69
LGBLDC-7280-001	80	21000	2.3 A	0.51 Kgf.cm	18700	14.8 A	1962 W	81.3

性能曲线 Performance Curve

