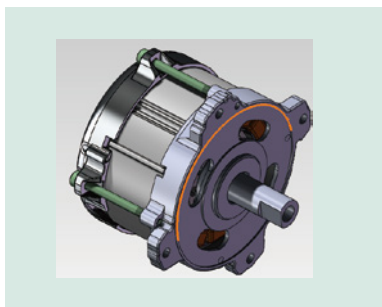


99 Series Brushless DC Motor



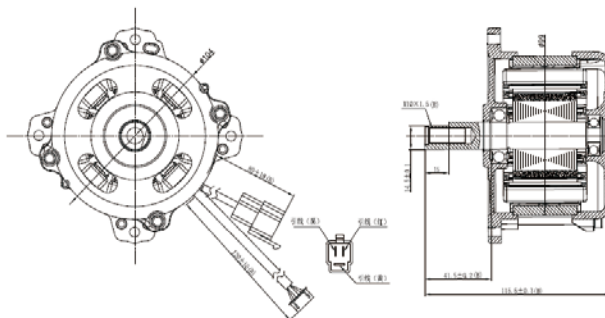
典型应用 Applications

- 个人护理 Personal care
- 家用电器 Home Appliances
- 电动工具 Power tool
- 商业设备 Business Equipment
- 医疗器械 Medical Apparatus

电机端口 Motor Port

Voltage(V): 24 ~ 80
 Speed(Rpm): 4000 ~ 30000
 Insulation: F级 / Class F
 Motor Drive inside

外形尺寸 Outline Dimension



主要参数 Main Parameter

Type	Voltage (V)	NO-Load		Max Efficiency				
		Speed(rpm)	Current	Torque	Speed(rpm)	Current	Output Power	EFF(%)
LGBLDC-9940-001	40	4715	3.5 A	1.3 Kgf.cm	3635	15 A	480 W	80
LGBLDC-9948-001	48	4189	3.2 A	1.5 Kgf.cm	3141	12 A	480 W	80
LGBLDC-9960-001	60	4035	2.7 A	1.8 Kgf.cm	3026	12 A	600 W	80
LGBLDC-9980-001	80	3442	2.3 A	4.5 Kgf.cm	2581	18 A	1200 W	85

性能曲线 Performance Curve

