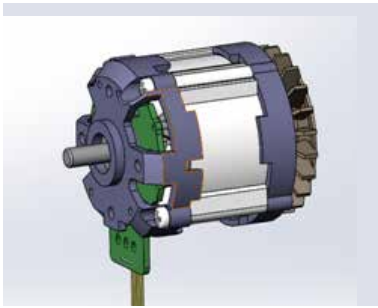


# 42 Series Brushless DC Motor



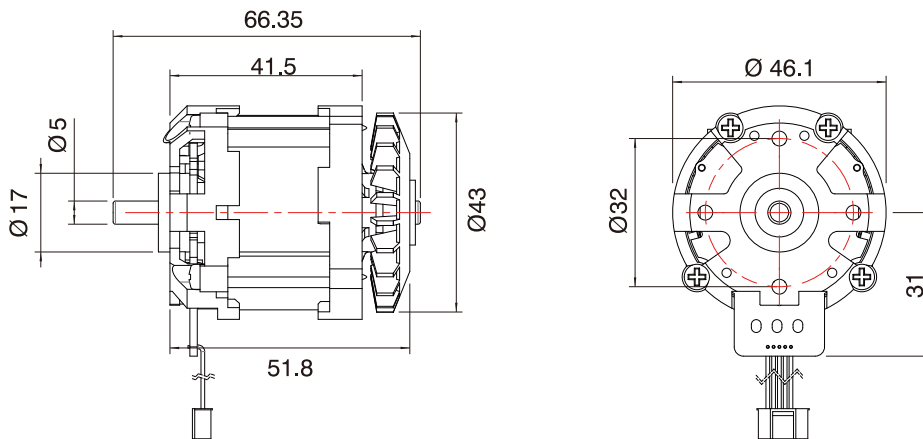
## 典型应用 Applications

- 个人护理 Personal care
- 家用电器 Home Appliances
- 电动工具 Power tool
- 商业设备 Business Equipment
- 医疗器械 Medical Apparatus

## 电机端口 Motor Port

Voltage(V): 18 ~ 36  
 Speed(Rpm): 4000 ~ 30000  
 Insulation: F级 / Class F  
 Motor Driver inside

## 外形尺寸 Outline Dimension



## 主要参数 Main Parameter

Type	Voltage (V)	NO-Load		Max Efficiency				
		Speed(rpm)	Current	Torque(g.cm)	Speed(rpm)	Current	Output Power	EFF(%)
LGBLDC-4818-001	18	5300	0.46 A	380.32	3749	1.11 A	14.64 W	73.25
LGBLDC-4824-001	24	13800	0.32 A	1178	12778	4.0 A	154.67 W	80.55

## 性能曲线 Performance Curve

