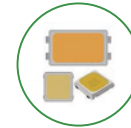
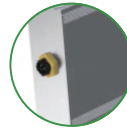
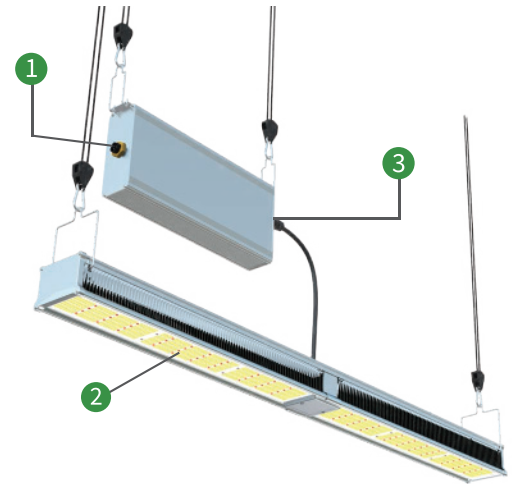


# 650W TOP LED grow light



## DETAILS



① AC M19 Waterproof Input    ② Top-Brand LED Chip    ③ 0-10V Controller Dimming

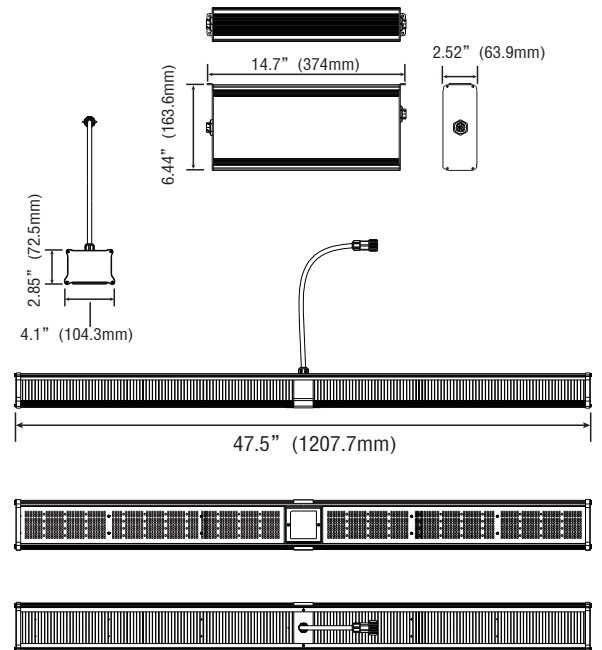
## PARAMETER

- Spectrum: 47"x4.1"
- Efficacy: 2.8 μmol/J
- AC Input Power: 650W
- AC Input Voltage: 100-277V AC,50/60Hz
- IP Rating: IP65
- Warranty: 5 Year Standard Warranty

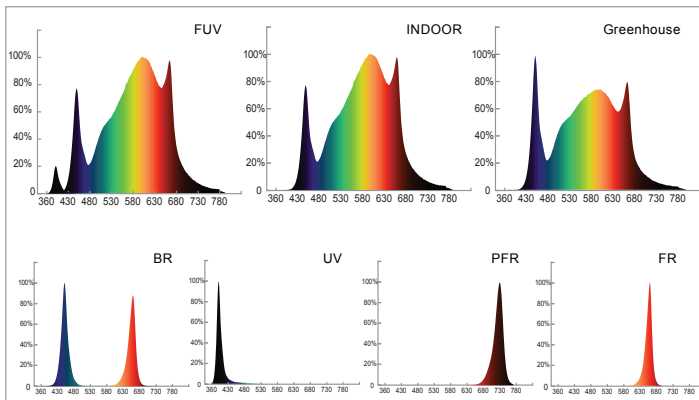


- Energy Saving Design
- Smart Over Temperature Protection
- Silent Operation
- Active Cooling Structure

## SIZE



## SPECTRUM



Model NO	InPUT	Power(277V)	PPF (360nm-780nm)	Efficacy(PPE)	Dimension
T650-Greenhouse	120-277V	650	1820	2.8	1207x104x72mm(47.5"x4.1"x2.85")
T650-INDOOR	120-277V	650	1820	2.8	1207x104x72mm(47.5"x4.1"x2.85")
T650-FUV	120-277V	650	1820	2.8	1207x104x72mm(47.5"x4.1"x2.85")
T650-BR	120-277V	650	1495	2.3	1207x104x72mm(47.5"x4.1"x2.85")
T650-UV	120-277V	650	650	1	1207x104x72mm(47.5"x4.1"x2.85")
T650-FR	120-277V	650	1950	3	1207x104x72mm(47.5"x4.1"x2.85")
T650-PFR	120-277V	650	1950	3	1207x104x72mm(47.5"x4.1"x2.85")